

Posttest

Name _____ Date _____

Directions: Read the passage. Then use the information from the passage to answer questions 1–5.

Davy Crockett and the Frozen Morning

Early one wintery morning, just as the sun was beginning to rise, Davy Crockett headed home with ten bearskins on his back. He had been hunting bears all night, and he was plumb tired. As he emerged from the forest, he looked up at the horizon and got a bit of a shock. Lo and behold, the sun was stuck fast between two large blocks of ice! Sunrays reached him, but barely, as they were frozen solid, too. It was so cold that Earth had stopped spinning.

Now Davy Crockett was a bright sort of individual, and he knew that a frozen sun would mean big trouble for all of Earth's people and critters. So he climbed a tree and very gingerly planted his boots down on one of the sunrays. The rays were frozen so solid that they held him, and he began climbing toward the sun.

Once he got there and had studied the problem, Davy put his load of bearskins over the sun like blankets over a newborn. That seemed to help a little bit. Then Davy took out his axe and chopped the blocks of ice that were stuck fast to the sun. Finally, he removed the skins and gave the sun a quick, hard kick, and that seemed to get it spinning once again. Soon the sun's heat thawed Earth and started it spinning again.

Davy gathered the bearskins and slung them on his back. Then he quickly slid down the sunrays before they melted. When he got to the ground, he reached inside his pocket and felt something warm. His discovery made him smile as wide as the Mississippi. He had carried a piece of sunrise home as a souvenir.

Name _____ Date _____

1. Which words best describe the character of Davy Crockett?

- (A) thoughtful and sympathetic
- (B) skillful but dangerous
- (C) intelligent and resourceful
- (D) strong but lazy

2. What was the main problem in this story?

- (A) Earth was too far from the sun.
- (B) Davy Crockett was very tired after a long night of hunting.
- (C) The weather was so cold that the sun froze.
- (D) Sunrays were not strong enough to hold Davy Crockett.

3. Davy Crockett had been hunting bears all night, and he was plumb tired.

What is the meaning of plumb?

- (A) a kind of fruit
- (B) almost
- (C) in a funny way
- (D) completely

4. Davy Crockett climbed up the sunrays to _____.

- (A) warm himself near the sun
- (B) try to get the sun to shine again
- (C) find some sunshine so he could see to get home
- (D) dry his bearskins before he put them away

5. The passage says, "Davy put his load of bearskins over the sun like blankets over a newborn." What does this sentence mean?

- (A) He put his bearskins on the sun to warm it.
- (B) The sun looked like a bear cub in a blanket.
- (C) He put some blankets on the sun's bare skin.
- (D) The sun was hidden under the blankets.

Name _____ Date _____

Directions: Read the passage. Then use the information from the passage to answer questions 11–15.

Ravi's Journal

August 14: Last night's game was the Braves versus the Mets, and we were there! The Mets played hard against the Braves, but the home team won. Not only that, but Liza snagged a foul ball! Chipper Jones fouled a line drive right at us, and my sister caught it with her glove!

August 21: Summer vacation's over, and I can't believe I have to go to school tomorrow. I wish I could take that baseball to school and show it to my two best friends, but that's not going to happen. My best buddies are back in Denver where we used to live, and I'm sure Liza will want to take the baseball to school herself.

August 28: School has been perfectly miserable so far. I don't know anybody, and everything about this school feels uncomfortable. Liza has all kinds of friends already, but I feel like I'm visiting another planet.

August 30: Tomorrow I'm going to take the baseball to school, even though I haven't asked Liza's permission. I don't even want to mention it to her, just in case she wants to refuse. Maybe when I show the ball to the kids in my class they'll be impressed.

September 1: The worst thing has happened. I took the baseball to school and showed it off to everybody, but I was so excited that day that I forgot my lunch money! Everybody thought the ball was so cool, but then disaster struck. After lunch, the ball disappeared from the teacher's desk. What am I going to tell Liza?

September 3: Liza will never forgive me for what I did, but I suspect she knows by now that the ball is gone, so I should say something.

September 4: The infamous souvenir baseball is not lost after all! I confessed to Liza, and she admitted that she had the ball all along. The day I brought the ball to school, she had visited my classroom to bring me some lunch money, and the teacher told her how impressed he was that Liza had caught the foul ball. Liza took the ball home that day and then waited patiently to see how long it would take for me to tell her what had happened. She wasn't really that mad, but she said that next time I should ask for permission first. I couldn't argue with that.

Name _____ Date _____

11. What will Ravi most likely do the next time he wants to borrow something that belongs to Liza?

- (A) He will ask for permission to use it.
- (B) He will tell her that he took it after he borrows it.
- (C) He will borrow it without asking.
- (D) He will lose it on purpose to see how she reacts.

12. What was Ravi's problem at the end of August?

- (A) He did not catch a foul ball at the game.
- (B) He was not very good at playing baseball.
- (C) He did not have any friends at his new school.
- (D) He had lost Liza's special baseball.

13. When Ravi went to school in August, he felt like _____.

- (A) baseball player
- (B) an outsider
- (C) hero
- (D) an honors student

14. How was Liza's situation different from Ravi's?

- (A) She made new friends quickly.
- (B) She went to the baseball game.
- (C) She was going to a new school.
- (D) She moved from Denver during the summer.

15. "Last night's game was the Braves versus the Mets." The word versus means _____.

- (A) and
- (B) against
- (C) for
- (D) between

The first thing Alex felt were the drips on his forehead. Each drop seemed heavier than the last. When he finally came to and his eyes cracked open, he could feel the dampness running off his chin and soaking the front of his shirt. He looked up into the darkness of the cave ceiling. As he did, another plump water droplet fell from above and splashed in his eye. Wiping it away with the back of his hand, Alex suddenly became very alert. He had slipped down a rock. He'd slipped into a cave. He needed to get back to Desiree.

As Alex clambered to his feet, his ankle wobbled. This was going to be a problem. He pressed his right palm into the rocky wall to keep his balance. A thin shaft of light was visible through a space between two gigantic boulders, and it drew Alex's attention to the small plastic doll with her crimson hair pulled back into a ponytail.

Alex sighed. He bent down to scoop Katy, the doll, off the ground. Desiree would never forgive him if he left Katy in the cave. With one hand still against the wall, he made his way carefully along the uneven slabs, following - what he believed - was the path back to the entrance of the cave. But it wasn't.

A few steps later, Alex found himself in another rocky chamber. It was eerily similar to the one he'd fallen into. He doubled back, worried that he could walk from chamber to chamber and become hopelessly lost like tourists did in the catacombs below Paris.

"Daddy? Can you hear me?"

Alex exhaled. It was Desiree's voice! "Call out to me again!" he yelled, his voice echoing around him, ricocheting sharply off the walls.

"Daddy! Daddy! Did you find Katy? Is she okay?"

Alex laughed quietly to himself. He'd slipped down the rock into the cave whilst trying to retrieve his daughter's precious doll, and yet she was more concerned with the toy's wellbeing.

"Katy's doing just fine," he called back. He continued calling out to Desiree, following the sound of her voice. Eventually it led him out of the cave. And the moment he emerged, Desiree was right there... to give her doll a big hug!

Read the text and answer the following questions:

1. Why was Alex in the cave?

2. How did Alex feel in the cave? Explain why.

3. Why did Alex keep calling out to Desiree?

4. What would you say to Desiree after she hugged the doll? Why?

5. Suggest two ways that the story could be improved.



Solve each problem.

$$\begin{array}{r} 1) \quad 35 \\ - 3.8 \\ \hline \end{array}$$

$$\begin{array}{r} 2) \quad 27.74 \\ + 9.809 \\ \hline \end{array}$$

$$\begin{array}{r} 3) \quad 88 \\ + 21.06 \\ \hline \end{array}$$

$$\begin{array}{r} 4) \quad 13.1 \\ + 6.77 \\ \hline \end{array}$$

$$\begin{array}{r} 5) \quad 39 \\ - 20.507 \\ \hline \end{array}$$

$$\begin{array}{r} 6) \quad 92 \\ - 85.9 \\ \hline \end{array}$$

$$\begin{array}{r} 7) \quad 47 \\ + 36.203 \\ \hline \end{array}$$

$$\begin{array}{r} 8) \quad 89 \\ + 56.8 \\ \hline \end{array}$$

$$\begin{array}{r} 9) \quad 22 \\ + 20.8 \\ \hline \end{array}$$

$$\begin{array}{r} 10) \quad 49 \\ - 37.97 \\ \hline \end{array}$$

$$\begin{array}{r} 11) \quad 75.36 \\ - 14.146 \\ \hline \end{array}$$

$$\begin{array}{r} 12) \quad 61.98 \\ - 43.994 \\ \hline \end{array}$$

$$\begin{array}{r} 13) \quad 68 \\ + 48.33 \\ \hline \end{array}$$

$$\begin{array}{r} 14) \quad 17 \\ - 15.1 \\ \hline \end{array}$$

$$\begin{array}{r} 15) \quad 87 \\ - 38.86 \\ \hline \end{array}$$

Answers

1. _____

2. _____

3. _____

4. _____

5. _____

6. _____

7. _____

8. _____

9. _____

10. _____

11. _____

12. _____

13. _____

14. _____

15. _____



Solve each problem.

$$\begin{array}{r} 1) \quad 70.4 \\ \times \quad 1.2 \\ \hline \end{array}$$

$$\begin{array}{r} 2) \quad 85.09 \\ \times \quad 6.9 \\ \hline \end{array}$$

$$\begin{array}{r} 3) \quad 3.3 \\ \times \quad 9.9 \\ \hline \end{array}$$

$$\begin{array}{r} 4) \quad 6.56 \\ \times \quad 6.5 \\ \hline \end{array}$$

$$\begin{array}{r} 5) \quad 164.9 \\ \times \quad 7.4 \\ \hline \end{array}$$

$$\begin{array}{r} 6) \quad 7.9 \\ \times \quad 9.4 \\ \hline \end{array}$$

$$\begin{array}{r} 7) \quad 8.34 \\ \times \quad 4.1 \\ \hline \end{array}$$

$$\begin{array}{r} 8) \quad 39.93 \\ \times \quad 3.1 \\ \hline \end{array}$$

$$\begin{array}{r} 9) \quad 9.0 \\ \times \quad 7.1 \\ \hline \end{array}$$

$$\begin{array}{r} 10) \quad 2.46 \\ \times \quad 8.4 \\ \hline \end{array}$$

$$\begin{array}{r} 11) \quad 48.43 \\ \times \quad 3.0 \\ \hline \end{array}$$

$$\begin{array}{r} 12) \quad 2.7 \\ \times \quad 8.9 \\ \hline \end{array}$$

Answers

1. _____

2. _____

3. _____

4. _____

5. _____

6. _____

7. _____

8. _____

9. _____

10. _____

11. _____

12. _____



Solve each problem. Round your answer to the nearest whole number.

1)

$$.7 \overline{) 2175}$$

2)

$$20 \overline{) 22.1}$$

3)

$$2 \overline{) 1.58}$$

Answers

1. _____

2. _____

3. _____

4. _____

5. _____

6. _____

4)

$$8.0 \overline{) 41}$$

5)

$$7 \overline{) 5.7}$$

6)

$$8.2 \overline{) 2459}$$



Solve each problem.

1) $9.45 \div 54 =$ _____

2) $85 + 72.205 =$ _____

3) $0.27 \div 0.4 =$ _____

4) $21 + 90.291 =$ _____

5) $83 - 82.4 =$ _____

6) $9,123 \div 0.1 =$ _____

7) $83 - 82.4 =$ _____

8) $3.637 \times 1.7 =$ _____

9) $4.6 \times 8.6 =$ _____

10) $83 - 82.4 =$ _____

11) $5 \times 6.363 =$ _____

12) $74.3 + 24.957 =$ _____

Answers

1. _____

2. _____

3. _____

4. _____

5. _____

6. _____

7. _____

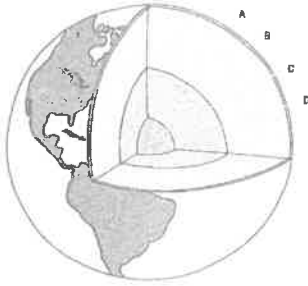
8. _____

9. _____

10. _____

11. _____

12. _____



Name: _____

Date: _____

EARTH'S LAYERS WORKSHEET

- **Intro** : Did you know that Earth has four different layers? These layers consist of the lithosphere, mantle, outer core and inner core.
- The **lithosphere** is the layer that we live on, the layer that we interact with every day. It consists of the crust and the uppermost mantle. The lithosphere also consists of the land and oceans and the rock underneath the land and the oceans, all the way down to the middle part of the mantle. It is cold and brittle, meaning it is hard and breakable.
 - The **mantle** is the layer just below the lithosphere and is the thickest layer. It is made up of mostly rock. It is hot and also convecting, meaning that the mantle's heat can be transferred to the lithosphere. Every year, lithospheric plates, or our continents, move at rates of centimeters per year in response to movement in the mantle.
 - The **outer core** is made up of liquid Nickel and Iron and is extremely hot. This layer surrounds the inner core and is below the mantle.
 - The **inner core** is the innermost layer of the Earth. It is a solid fireball and is made up of Nickel and Iron. This layer is the hottest layer of all of the layers.

○ **Questions :**

1. Which layer of the Earth do we live on?
 - a. Inner Core
 - b. Mantle
 - c. Lithosphere
 - d. Outer Core

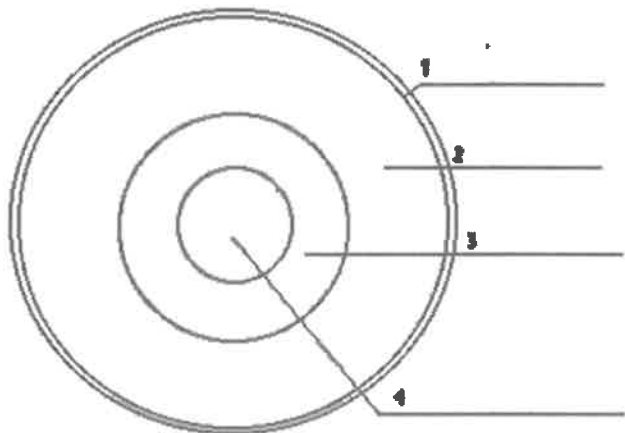
2. Which layer is the hottest and is the innermost layer of Earth?
 - a. Inner Core
 - b. Mantle
 - c. Lithosphere
 - d. Interior Core

3. Which layer is the thickest and right below the Lithosphere?
 - a. Inner Core
 - b. Mantle
 - c. Lithosphere
 - d. Outer Core

4. Which layer surrounds the inner core and is made up of liquid Nickel and Iron?
 - a. Exterior Core
 - b. Mantle
 - c. Lithosphere
 - d. Outer Core

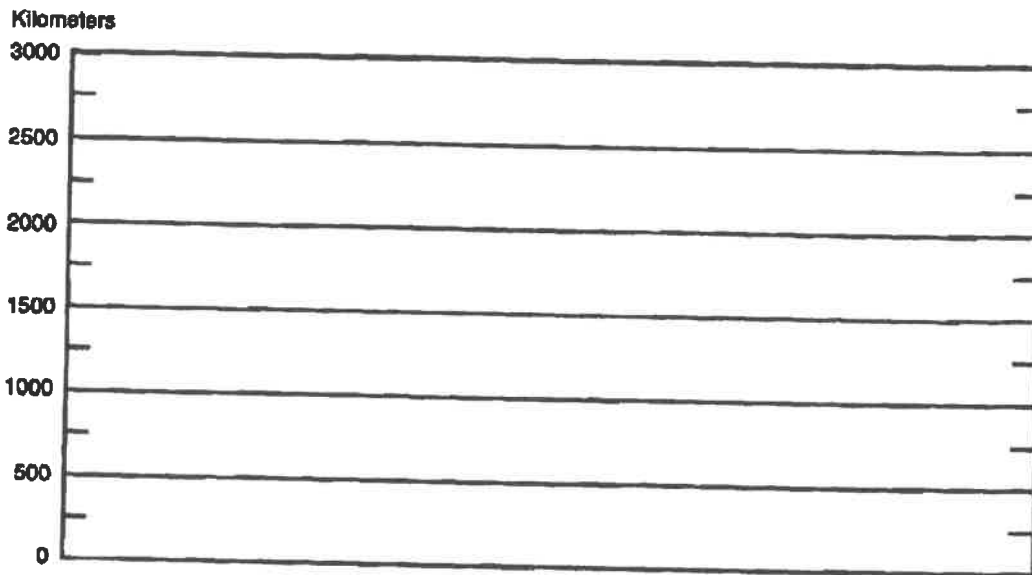
5. Can you label each layer of the Earth?

SQUARE: Lithosphere
TRIANGLE: Mantle
STAR: Outer core
CIRCLE: Inner core



Graph of the Earth Layers

Name _____



1. Use the following data to construct a bar graph of the thickness of the Earth's layers:

Layer	Thickness in Km
crust	40
lithosphere	100
mantle	2,900
outer core	2,000
inner core	1,400

2. Which layer of the Earth is the thickest?

3. Which layer of the Earth is the thinnest?

4. What is the total thickness of all the Earth's layers?

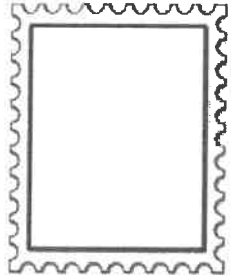
POSTCARD INSTRUCTIONS

- **ON THE FRONT SIDE OF THE POSTCARD DRAW ONE OF THE PHYSICAL FEATURES OF EUROPE. INCLUDE A TITLE EXAMPLE: CHEERS FROM THE ENGLISH CHANNEL!**
- **ON THE BACK, WRITE A NOTE TO SOMEONE AS IF YOU VISITED THE PHYSICAL FEATURE YOU VISITED.**
- **WHEN FINISHED, CUT OUT THE POST CARD, FOLD ALONG THE DOTTED LINE AND TAPE THE SIDES TOGETHER.**

Large blank rectangular area for writing the main body of the letter.

Dear:

Large blank rectangular area for writing the main body of the letter, located below the 'Dear:' label.



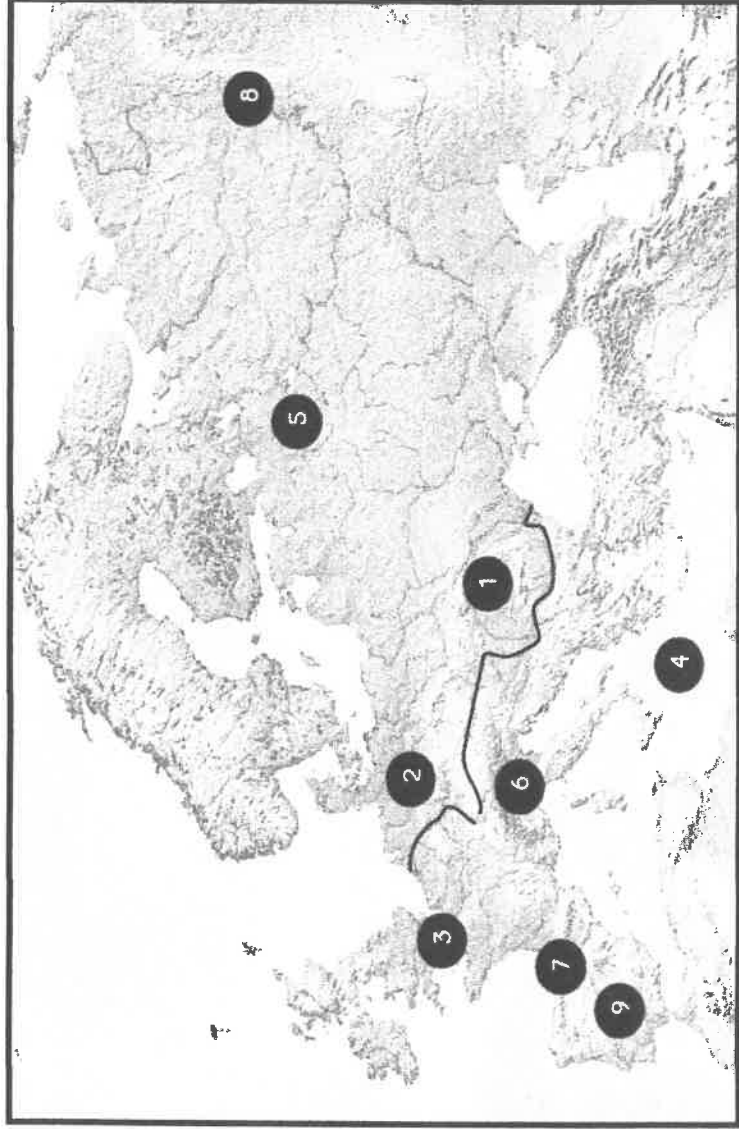
To: _____

Sincerely,

PHYSICAL FEATURES OF EUROPE

Directions: Use the word bank to match the physical features with their numbers on the map.

Ural Mountains Iberian Peninsula Rhine River Danube River Alps Mountains
Pyrenees Mountains English Channel European Plain Mediterranean Sea

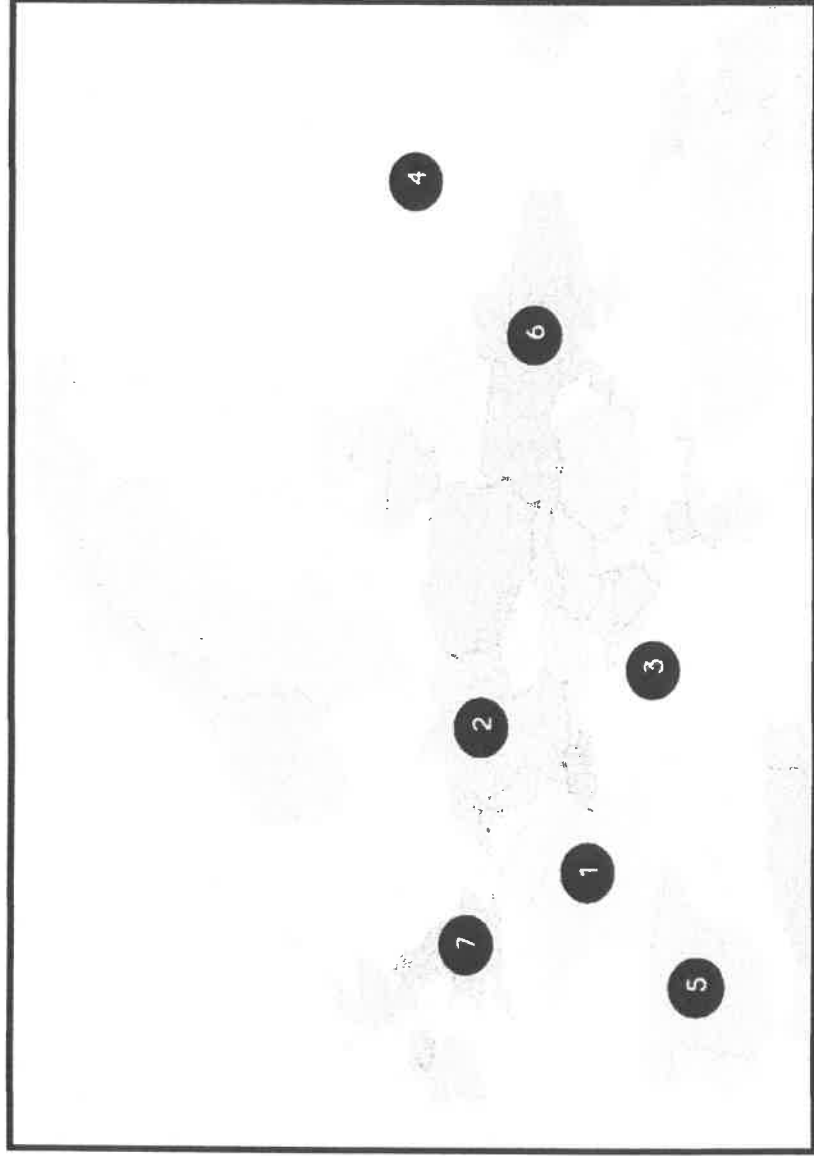


- 1.) _____
- 2.) _____
- 3.) _____
- 4.) _____
- 5.) _____
- 6.) _____
- 7.) _____
- 8.) _____
- 9.) _____

POLITICAL FEATURES OF EUROPE

Directions: Use the word bank to match the countries with their numbers on the map.

Russia	France	United Kingdom	Spain	Italy	Germany	Ukraine
--------	--------	----------------	-------	-------	---------	---------



- 1.) _____
- 2.) _____
- 3.) _____
- 4.) _____
- 5.) _____
- 6.) _____
- 7.) _____